

# ADC Patent Search<sup>TM</sup>

Patent Research & Analytics | Intellectual Property Awareness

## Validity Search Report

Reference: \*\*\*\*\*

Date: \*\*\*\*\*

A validity search was conducted in respect of target patent EP\*\*\*\*\*.

The search considered prior art published before the priority date of DD MMM YYYY.

Special consideration was given to independent claim 1, and dependent claims 2 and 6 of the target patent.

### Results: Commentary

X patents / patent applications and Y other publications / public disclosures were found. Within each section of this report, those publications considered by the analyst to be most relevant are presented first.

The claims matrix below indicates how the prior art identified by the search reads against the claims of the target patent.

Particular attention is drawn to patent US\*\*\*\*\* and paper \*\*Ref\*\*, within the context of the search brief.

For all reported publications, the displayed and highlighted (**bold**) text indicate why the analyst considers these pieces of prior art should merit further examination.

All publication numbers and references are hyperlinked to free, public sources of the full document, where this is available.

## Results: Validity / Claims Matrix

The table below indicates which sections of the identified prior art may be considered relevant to the appropriate claim content of the target patent.

Claim Content of Target Patent	Prior Art Identified (Publication Number & Assignee)		
	US***** Assignee		
Claim 1: Feature 1	Claim 1		
Claim 1: Feature 2			
Claim 1: Feature 3	Claim 1		
Claim 1: Feature 4			
Claim 2: Feature 1	Description Lines 87 to 90		
Claim 6: Feature 1			

Claim Content of Target Patent	Prior Art Identified (Reference)		
	<a href="#">Author. 1999. Journal XX, 123</a>		
Claim 1: Feature 1	Abstract		
Claim 1: Feature 2	Abstract		
Claim 1: Feature 3	Abstract		
Claim 1: Feature 4	Abstract		
Claim 2: Feature 1			
Claim 6: Feature 1	Page 124, Lines 23 to 27		

## Results: Patents

Publication Number (40)	Title (54)	Assignee / Applicant (70)	Publication Date (40)	Equivalents
<a href="#">US*****</a>	Title Title Title	Assignee	10 April 1999	EP***** JP***** CN***** NZ***** WO*****

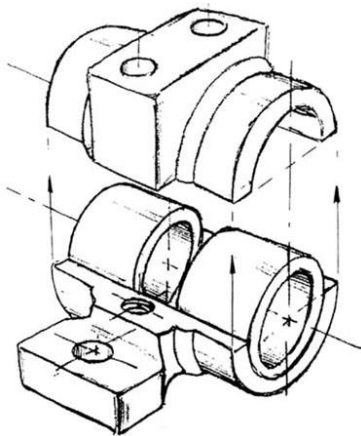
### Description Lines 87 to 90.

Lorem ipsum dolor sit amet, consectetur adipiscing elit, sed do eiusmod tempor incididunt ut labore et dolore magna aliqua. Ut enim ad minim veniam, quis nostrud **exercitation ullamco laboris** nisi ut aliquip ex ea commodo consequat.

### Claim 1.

Lorem ipsum dolor sit amet, **consectetur adipiscing elit**, sed do eiusmod tempor incididunt ut labore et dolore magna aliqua. Ut enim ad minim veniam, quis nostrud exercitation ullamco laboris nisi ut aliquip ex ea commodo consequat. Duis aute irure dolor in reprehenderit in voluptate velit esse cillum dolore eu fugiat nulla pariatur. Excepteur sint occaecat cupidatat non proident, sunt in culpa qui **officia deserunt mollit anim id est laborum**.

### Figure 1.



## Results: Non-Patents

### Document:

[Author. 1999. Title Title Title. Journal XX, 123-125.](#)

### Abstract:

Lorem ipsum dolor sit amet, consectetur adipiscing elit, sed do eiusmod tempor incididunt ut labore et dolore magna aliqua. **Ut enim ad minim veniam**, quis nostrud exercitation ullamco laboris nisi ut aliquip ex ea commodo consequat. Duis aute irure dolor in reprehenderit in voluptate velit esse cillum dolore eu fugiat nulla pariatur. Excepteur sint occaecat cupidatat non proident, sunt in culpa qui officia deserunt mollit anim id est laborum.

### Page 124, Lines 23 to 27:

Lorem ipsum dolor sit amet, consectetur adipiscing elit, sed do eiusmod tempor incididunt ut labore et dolore magna aliqua. Ut enim ad minim veniam, quis nostrud exercitation ullamco laboris nisi ut aliquip ex ea commodo consequat. Duis aute irure dolor in **reprehenderit in voluptate velit esse** cillum dolore eu fugiat nulla pariatur. Excepteur sint occaecat cupidatat non proident, sunt in culpa qui officia deserunt mollit anim id est laborum.

## **Field of Search**

**Source:** Patent Database

**Time Period:** Filed Before DD MMM YYYY

**Jurisdictions:** Worldwide

<b>Limits</b>	<b>Keywords / Documents</b>	<b>Classifications</b>
Title, Abstract, Claims	keyword1 AND (keyword2* OR keyword3*)	
Full Text	keyword4	B01D
Forward & Backward Citations	US*****	B01D
Assignees	AssigneeName1 OR AssigneeName2 OR AssigneeName3	

**Source:** Scientific Literature Database

**Time Period:** Published Before DD MMM YYYY

**Jurisdictions:** Worldwide

<b>Limits</b>	<b>Keywords / Documents</b>
Title, Abstract	keyword1 AND (keyword2* OR keyword3*)
Full Text	keyword4
Forward & Backward Citations	**Ref**
Authors	AuthorName1

Search strategies are built using:

- Keywords & relevant synonyms, applying truncation where appropriate
- Patent classifications (IPC-R, CPC, FI / F-Terms)
- Citation analysis
- Assignee names, accounting for name variation; mergers & acquisitions; and licensing activity where appropriate
- Inventor names
- Boolean and proximity operators, and appropriate nesting of queries