

ADC Patent SearchTM

Patent Research & Analytics | Intellectual Property Awareness

Patentability Search Report

Reference: *****

Date: *****

A patentability search was conducted in respect of...

Special consideration was given to the following features of the invention...

Results: Commentary

X patents / patent applications and Y other publications / public disclosures were found. Within each section of this report, those publications considered by the analyst to be most relevant are presented first.

Particular attention is drawn to patent US***** and paper **Ref**, within the context of the search brief.

For all reported publications, the displayed and highlighted (**bold**) text indicate why the analyst considers these pieces of prior art should merit further examination.

All publication numbers and references are hyperlinked to free, public sources of the full document, where this is available.

Results: Patents

Publication Number (40)	Title (54)	Assignee / Applicant (70)	Publication Date (40)	Equivalents
US*****	Title Title Title	Assignee	10 April 2018	EP***** JP***** CN***** NZ***** WO*****

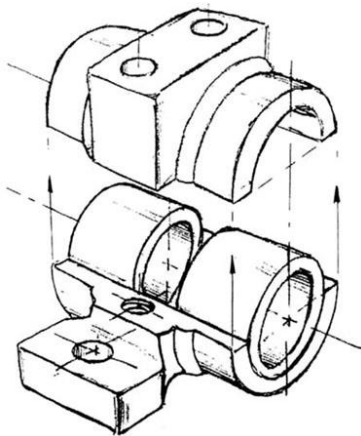
Description Lines 87 to 90.

Lorem ipsum dolor sit amet, consectetur adipiscing elit, sed do eiusmod tempor incididunt ut labore et dolore magna aliqua. Ut enim ad minim veniam, quis nostrud **exercitation ullamco laboris** nisi ut aliquip ex ea commodo consequat.

Claim 1.

Lorem ipsum dolor sit amet, **consectetur adipiscing elit**, sed do eiusmod tempor incididunt ut labore et dolore magna aliqua. Ut enim ad minim veniam, quis nostrud exercitation ullamco laboris nisi ut aliquip ex ea commodo consequat. Duis aute irure dolor in reprehenderit in voluptate velit esse cillum dolore eu fugiat nulla pariatur. Excepteur sint occaecat cupidatat non proident, sunt in culpa qui **officia deserunt mollit anim id est laborum**.

Figure 1.



Results: Non-Patents

Document:

[Author. 2018. Title Title Title. Journal XX, 123-125.](#)

Abstract:

Lorem ipsum dolor sit amet, consectetur adipiscing elit, sed do eiusmod tempor incididunt ut labore et dolore magna aliqua. **Ut enim ad minim veniam**, quis nostrud exercitation ullamco laboris nisi ut aliquip ex ea commodo consequat. Duis aute irure dolor in reprehenderit in voluptate velit esse cillum dolore eu fugiat nulla pariatur. Excepteur sint occaecat cupidatat non proident, sunt in culpa qui officia deserunt mollit anim id est laborum.

Page 124, Lines 23 to 27:

Lorem ipsum dolor sit amet, consectetur adipiscing elit, sed do eiusmod tempor incididunt ut labore et dolore magna aliqua. Ut enim ad minim veniam, quis nostrud exercitation ullamco laboris nisi ut aliquip ex ea commodo consequat. Duis aute irure dolor in **reprehenderit in voluptate velit esse** cillum dolore eu fugiat nulla pariatur. Excepteur sint occaecat cupidatat non proident, sunt in culpa qui officia deserunt mollit anim id est laborum.

Field of Search

Source: Patent Database

Time Period: No limit

Jurisdictions: Worldwide

Limits	Keywords / Documents	Classifications
Title, Abstract, Claims	keyword1 AND (keyword2* OR keyword3*)	
Full Text	keyword4	B01D
Forward & Backward Citations	US*****	B01D
Assignees	AssigneeName1 OR AssigneeName2 OR AssigneeName3	

Source: Scientific Literature Database

Time Period: No limit

Jurisdictions: Worldwide

Limits	Keywords / Documents
Title, Abstract	keyword1 AND (keyword2* OR keyword3*)
Full Text	keyword4
Forward & Backward Citations	**Ref**
Authors	AuthorName1

Search strategies are built using:

- Keywords & relevant synonyms, applying truncation where appropriate
- Patent classifications (IPC-R, CPC, FI / F-Terms)
- Citation analysis
- Assignee names, accounting for name variation; mergers & acquisitions; and licensing activity where appropriate
- Inventor names
- Boolean and proximity operators, and appropriate nesting of queries