

ADC Patent Search™

Patent Research & Analytics | Intellectual Property Awareness

Freedom-to-Operate Search Report

Reference: *****

Date: *****

A freedom-to-operate search was conducted in respect of...

The search considered granted patents, and recent pending applications, from the following jurisdictions, EP, NZ, US, with a special focus on the claimed inventions.

Special consideration was given to the following features of the product / process...

Results: Commentary

X patents / patent applications were found. Those publications considered by the analyst to be most relevant are presented first.

Particular attention is drawn to patent US*****, within the context of the search brief.

For all reported patent publications, the displayed and highlighted (**bold**) text indicate why the analyst considers this IP should merit further examination.

All publication numbers are hyperlinked to free, public sources of the full document, where this is available.

Should any patent publications be of particular interest, an alert or watch can be set up to monitor the legal status of the specific document and its patent family. Alerts can also be set up to monitor the publication of new IP in the technology space or by the assignee(s) / inventor(s) concerned.

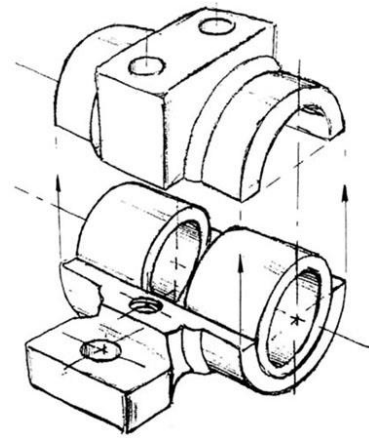
Results: Patents

Publication Number (40)	Title (54)	Assignee / Applicant (70)	Publication Date (40)	Equivalents
US*****	Title Title Title	Assignee	10 April 2018	EP***** JP***** CN***** NZ***** WO*****

Claim 1.

Lorem ipsum dolor sit amet, **consectetur adipiscing elit**, sed do eiusmod tempor incididunt ut labore et dolore magna aliqua. Ut enim ad minim veniam, quis nostrud exercitation ullamco laboris nisi ut aliquip ex ea commodo consequat. Duis aute irure dolor in reprehenderit in voluptate velit esse cillum dolore eu fugiat nulla pariatur. Excepteur sint occaecat cupidatat non proident, sunt in culpa qui **officia deserunt mollit anim id est laborum**.

Figure 1.



Field of Search

Source: Patent Database

Time Period: Filing Date = from 20 years to the date of the search

Jurisdictions: EP, NZ, US, WO

Limits	Keywords / Documents	Classifications
Title, Abstract, Claims	keyword1 AND (keyword2* OR keyword3*)	
Full Text	keyword4	B01D
Forward & Backward Citations	US*****	B01D
Assignees	AssigneeName1 OR AssigneeName2 OR AssigneeName3	

Search strategies are built using:

- Keywords & relevant synonyms, applying truncation where appropriate
- Patent classifications (IPC-R, CPC, FI / F-Terms)
- Citation analysis
- Assignee names, accounting for name variation; mergers & acquisitions; and licensing activity where appropriate
- Inventor names
- Boolean and proximity operators, and appropriate nesting of queries